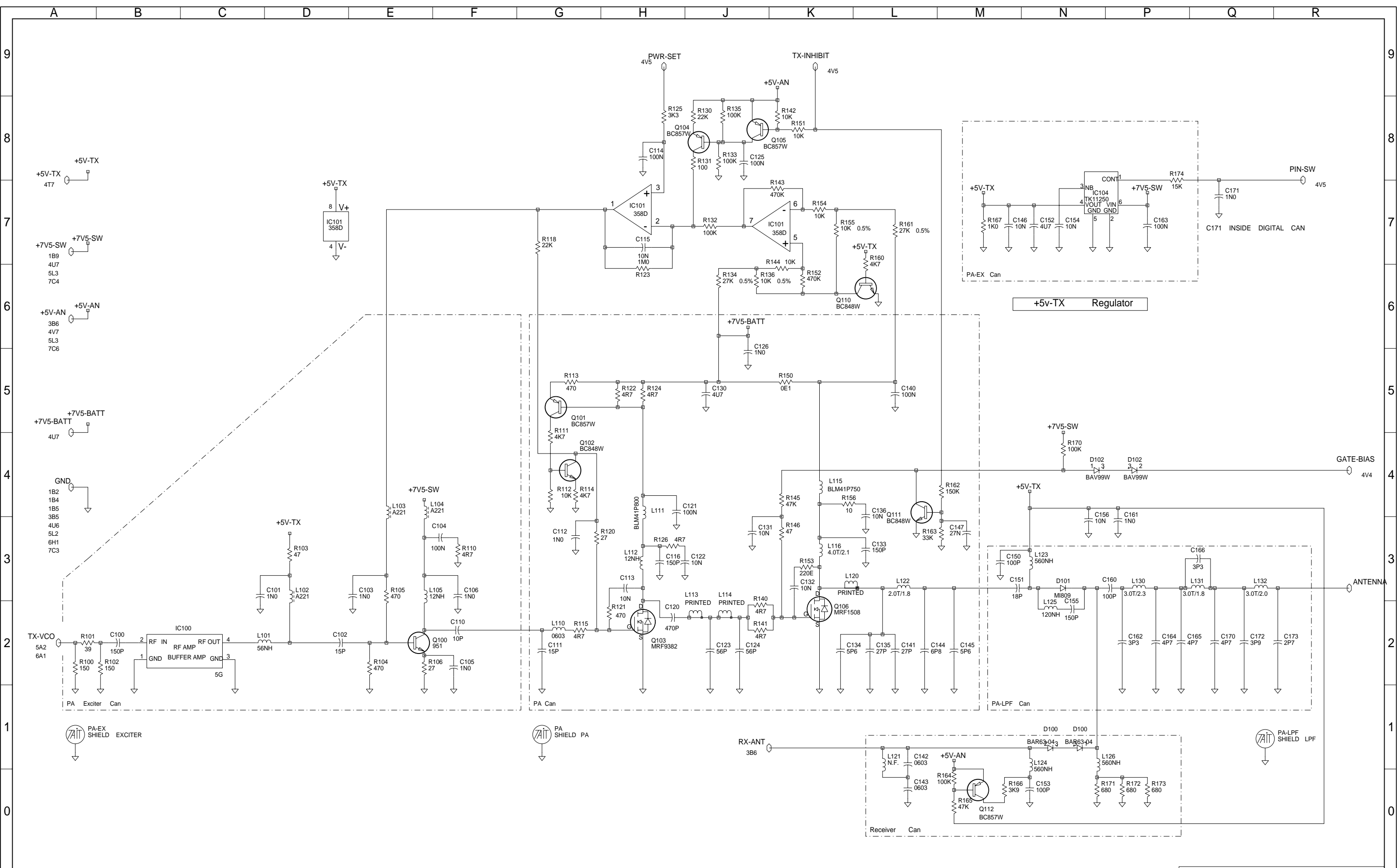


**PROCESSOR**  
252 SHEET 4  
**DSP AUDIO**

VCO  
sheet 6

© **TAIT ELECTRONICS**  
**ORCA : 400-470MHZ SYSTEM DIAGRAM**  
 IPN: 220-01603-01 ISSUE: A ID: 2.S.C. 1  
 PROJECT: ORCA DESIGNER: CJK FILE NAME: 160301A FILE DATE: 13/07/99 NO.SHEETS: 7

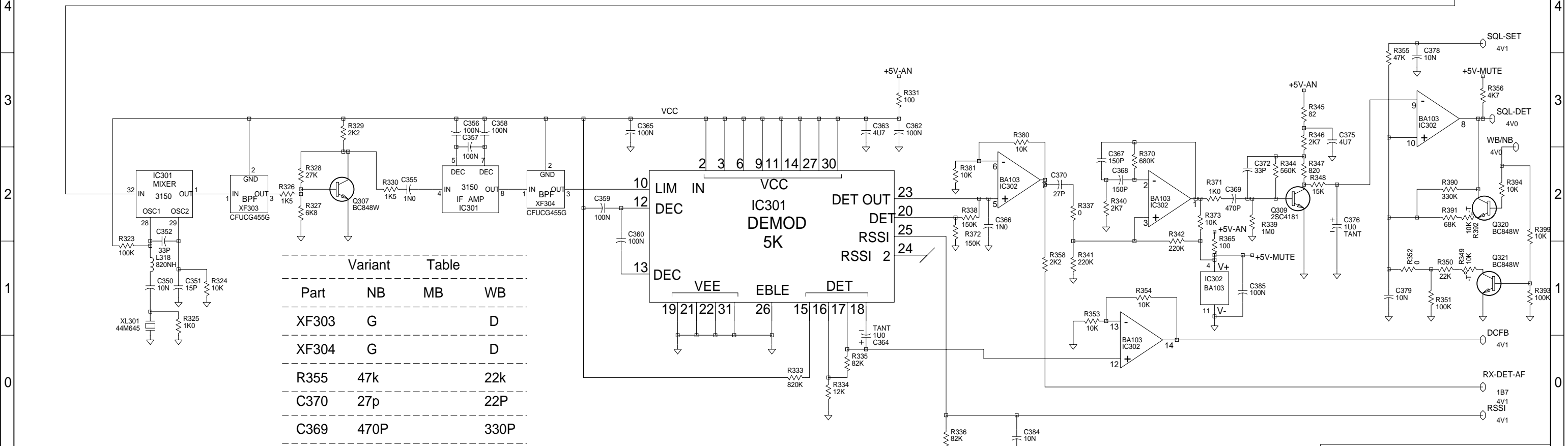
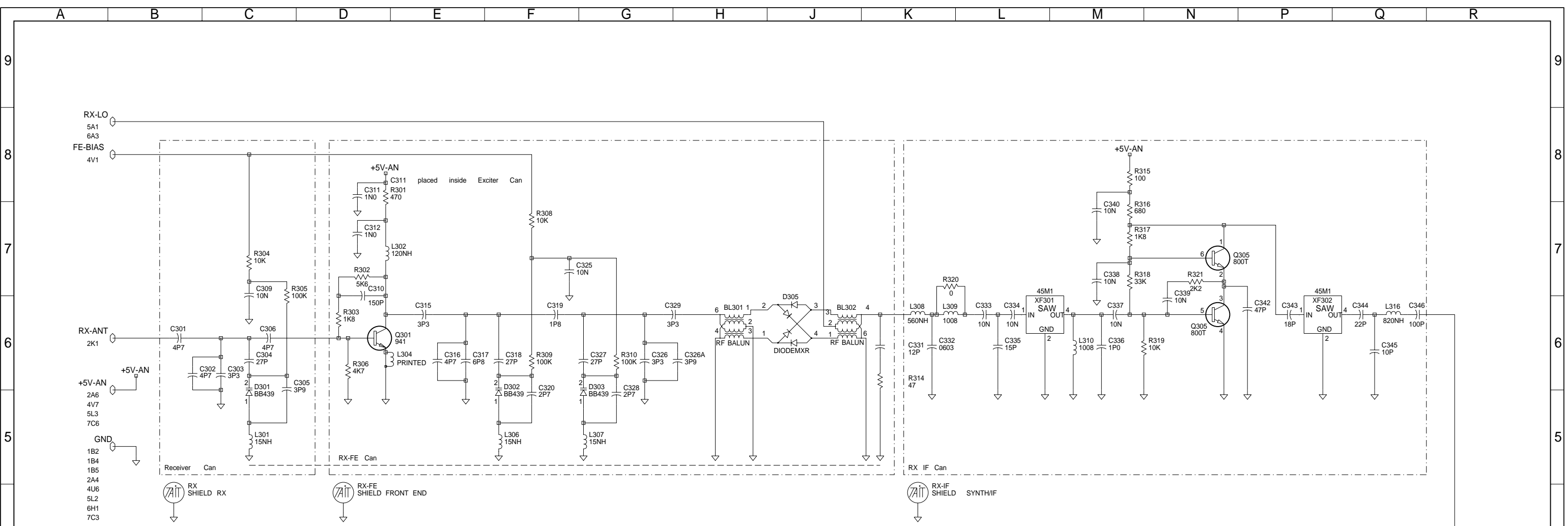
01A	NEW PA FOR 400-470 MHZ	CJK	JJ		10/06/99
REV/ISS	AMENDMENTS	DRAWN	CHKD	D.O.	APVD DATE



© TAIT ELECTRONICS  
 ORCA : 400-470MHZ  
 POWER AMPLIFIER

IPN: 220-01603-01	ISSUE: A	ID: 2.S.C. 2
PROJECT: ORCA	DESIGNER: CJK	FILE NAME: 160301A
	FILE DATE: 13/07/99	NO.SHEETS: 7

REV/ISS	AMENDMENTS	DRAWN	CHKD	D.O.	APVD	DATE
A						

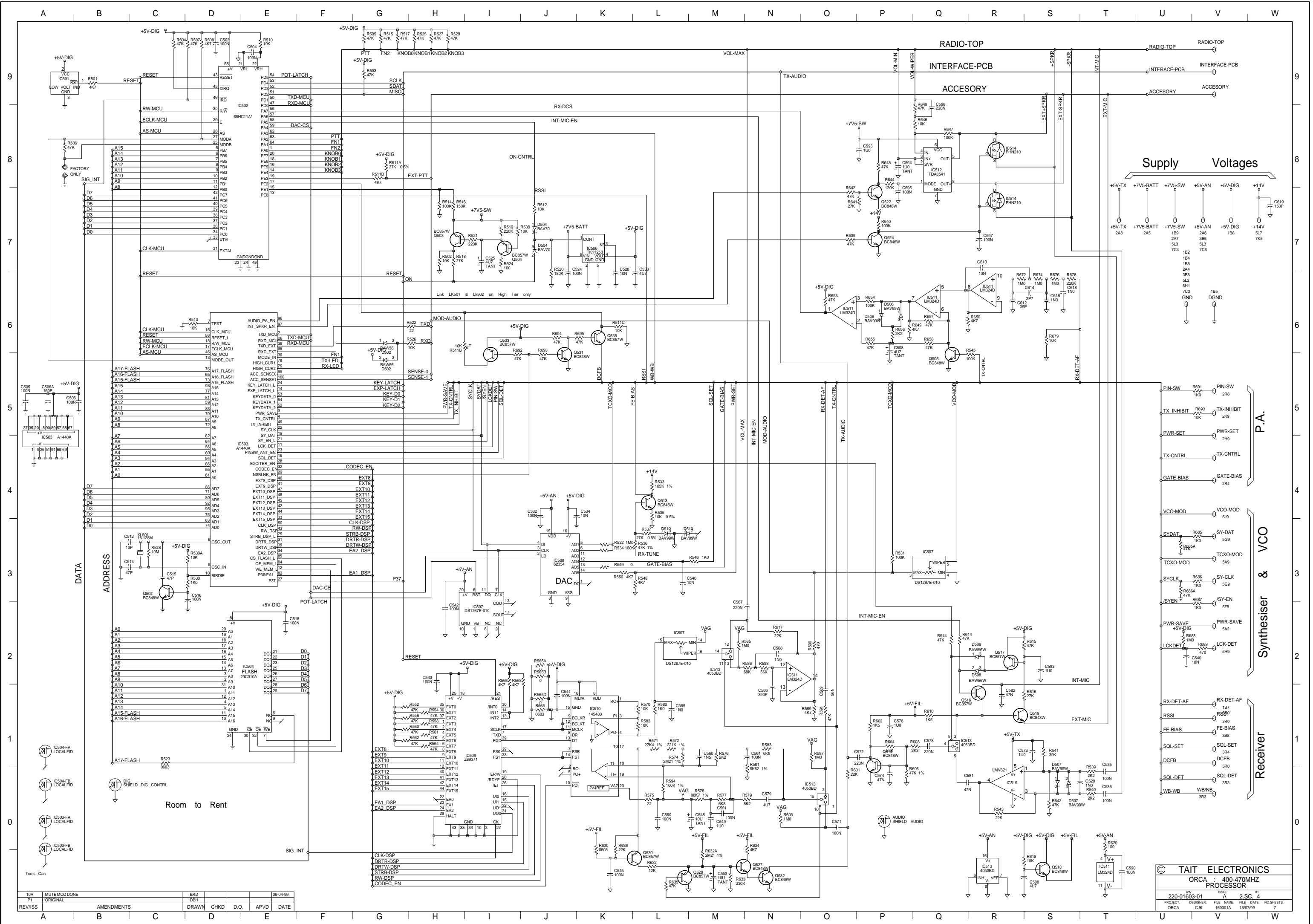


Variant Table

Part	NB	MB	WB
XF303	G		D
XF304	G		D
R355	47k		22k
C370	27p		22P
C369	470P		330P
R390	330k		68k

© TAIT ELECTRONICS  
 ORCA : 400-470MHZ RECEIVER  
 IPN: 220-01603-01 ISSUE: A ID: 2.S.C. 3  
 PROJECT: ORCA DESIGNER: CJK FILE NAME: 160301A FILE DATE: 13/07/99 NO.SHEETS: 7

REV/ISS	AMENDMENTS	DRAWN	CHKD	D.O.	APVD	DATE
A						



10A	MUTE MOD DONE	BRD		06-04-99
P1	ORIGINAL	DBH		
REV/ISS	AMENDMENTS	DRAWN	CHKD	D.O.
		APVD		DATE

© TAIT ELECTRONICS  
 ORCA : 400-470MHZ  
 PROCESSOR

220-01603-01  
 2-SC 4

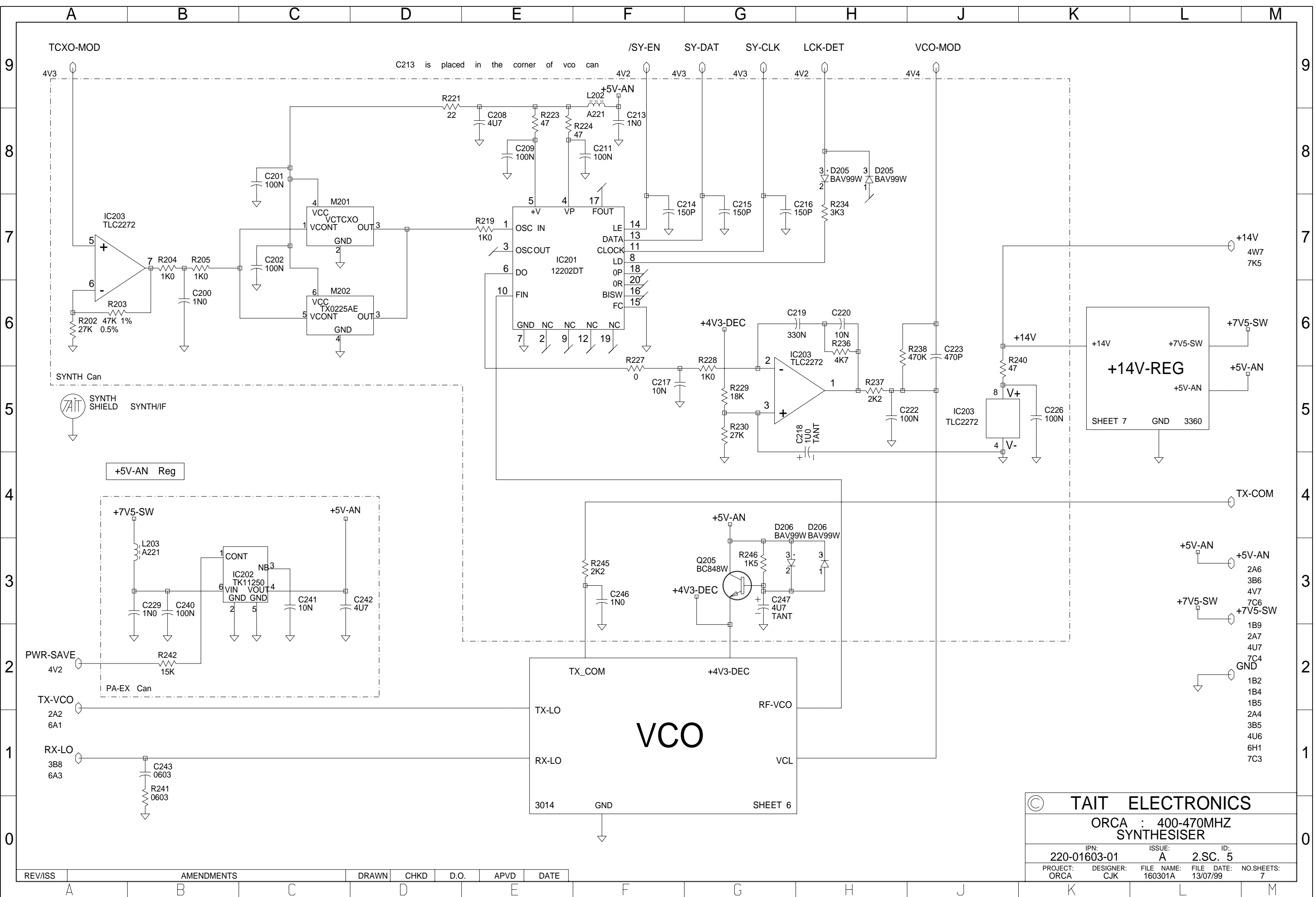
PROJECT: ORCA DESIGNER: FILE NAME: FILE DATE: NO SHEETS: 7  
 ORCA CJK 160301A 13/07/99

Room to Rent

IC504-FA LOCALFID  
 IC504-FB LOCALFID  
 IC503-FA LOCALFID  
 IC503-FB LOCALFID

Toms Can

- P.A.
  - PIN-SW 2R8
  - TX-INHIBIT 2K9
  - PWR-SET 2H9
  - TX-CNTRL 2X-CNTRL
  - GATE-BIAS 2R4
- Synthesiser & VCO
  - VCO-MOD 5J9
  - SYDAT 5G9
  - TCXO-MOD 5A9
  - SYCLK 5G9
  - SYEN 5F9
  - PWR-SAVE 5A2
  - LCK-DET 5H9
- Receiver
  - RX-DET-AF 3R7
  - RSSI 3R0
  - FE-BIAS 3B8
  - SOL-SET 3R4
  - SOL-DET 3R0
  - WB-WB 3R3



C213 is placed in the corner of vco can

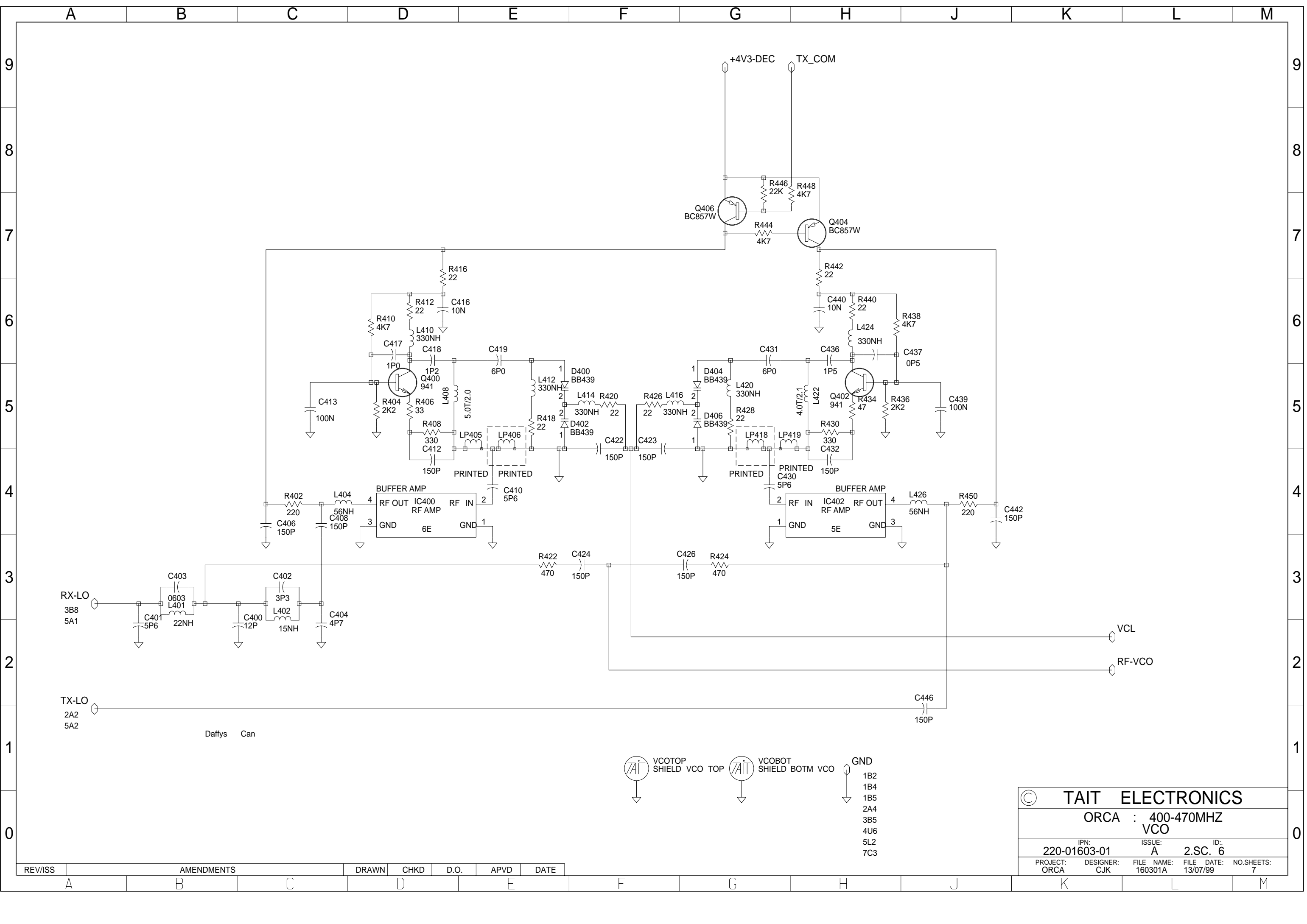
**+14V-REG**  
SHEET 7  
GND 3360

**VCO**  
3014  
GND

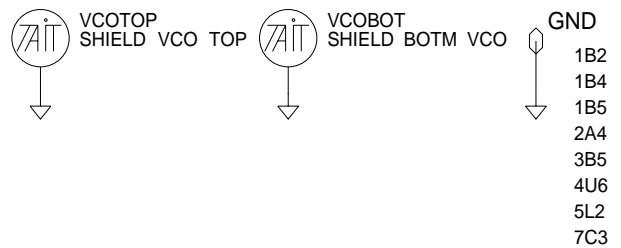
© TAIT ELECTRONICS				
ORCA : 400-470MHZ SYNTHESISER				
IPN:	ISSUE:	ID:		
220-01603-01	A	2.SC. 5		
PROJECT:	DESIGNER:	FILE NAME:	FILE DATE:	NO.SHEETS:
ORCA	CJK	160301A	13/07/99	7

REV/ISS	AMENDMENTS	DRAWN	CHKD	D.O.	APVD	DATE
---------	------------	-------	------	------	------	------

- +5V-AN 2A6
- +5V-AN 3B6
- +5V-AN 4V7
- +7V5-SW 7C6
- +7V5-SW 1B9
- +7V5-SW 2A7
- +7V5-SW 4U7
- +7V5-SW 7C4
- GND 1B2
- GND 1B4
- GND 1B5
- GND 2A4
- GND 3B5
- GND 4U6
- GND 6H1
- GND 7C3



Daffys Can



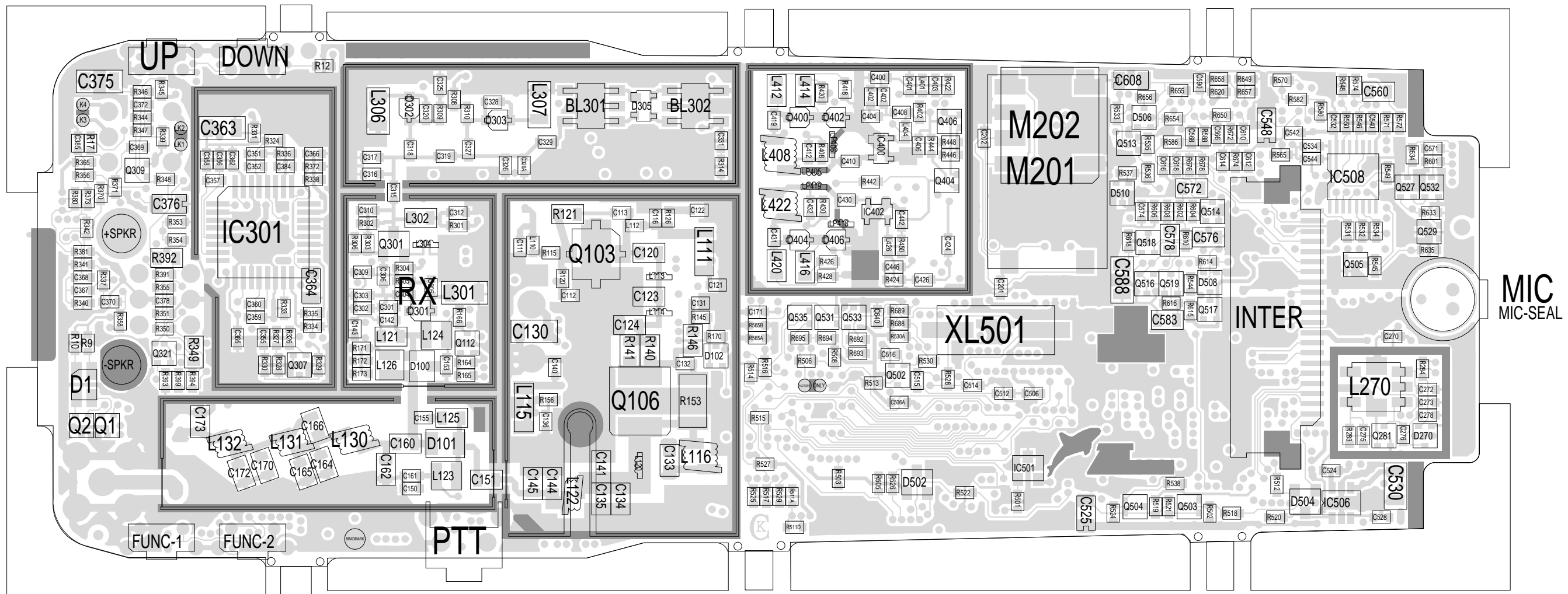
© TAIT ELECTRONICS				
ORCA : 400-470MHZ VCO				
IPN:	ISSUE:	ID:		
220-01603-01	A	2.SC. 6		
PROJECT:	DESIGNER:	FILE NAME:	FILE DATE:	NO.SHEETS:
ORCA	CJK	160301A	13/07/99	7

REV/ISS	AMENDMENTS	DRAWN	CHKD	D.O.	APVD	DATE









TAIT ELECTRONICS    IPN: 220-01603-01    ISS: -01A    ID: 6.BA    DATE: 16 Jul 1999  
 ORCA UHF PCB LAYOUT - BOTTOM SIDE